

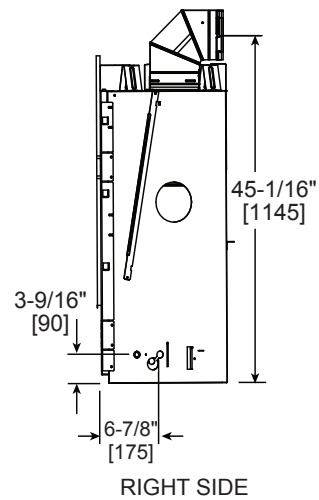
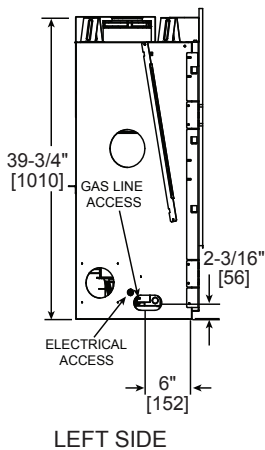
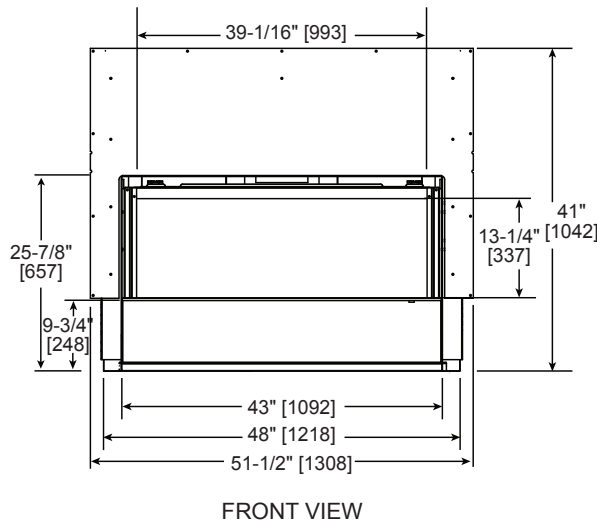
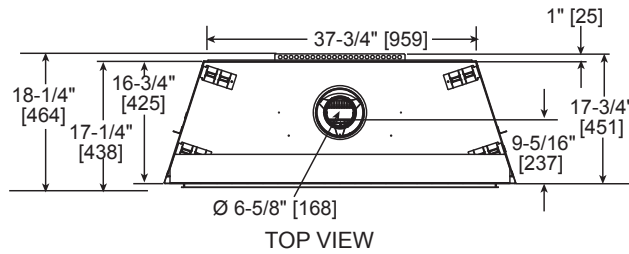


Please consult the manufacturer's installation manual for all details and requirements before making a final design layout decision.

Cosmo 42

Direct Vent Gas Fireplace

MODEL	FRONT WIDTH		BACK WIDTH		HEIGHT		DEPTH		GLASS SIZE
	Actual	Framing	Actual	Framing	Actual	Framing	Actual	Framing	
SLR-D	48	50	37-3/4	50	41	40-1/4	18-1/4	18-1/4	39-1/16 x13-1/4



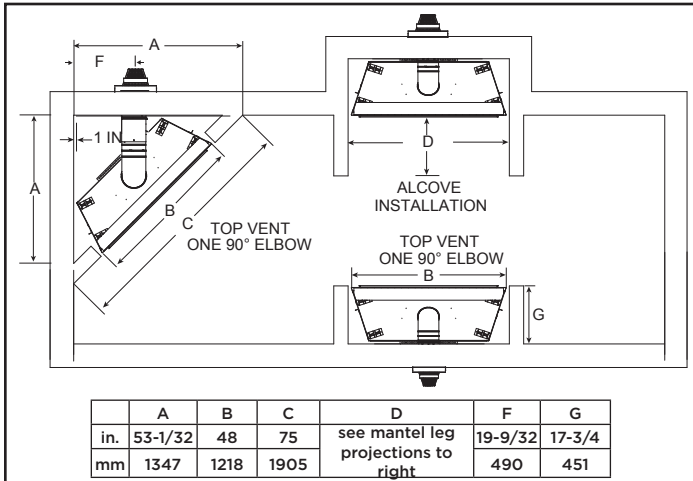
Add 7" minimum for the addition of a Heat-Zone or Heat Duct on each side of unit where placing them.

Additional information can be found online at www.heatnglo.com

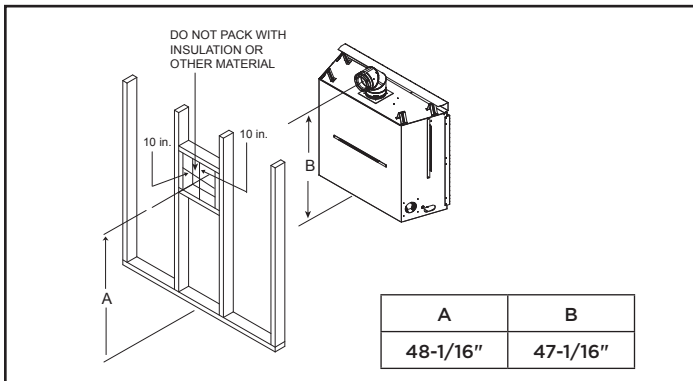
MINIMUM FIREPLACE CLEARANCES

AREA	TO COMBUSTIBLES (in inches)
CLEARANCE TO CEILING	31
NON-COMBUSTIBLE FLOOR	0
COMBUSTIBLE FLOORING	0
BEHIND APPLIANCE	1
SIDES OF APPLIANCE	1

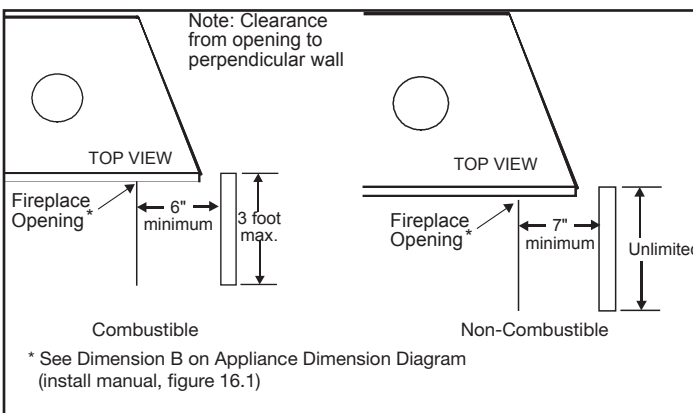
APPLIANCE LOCATION



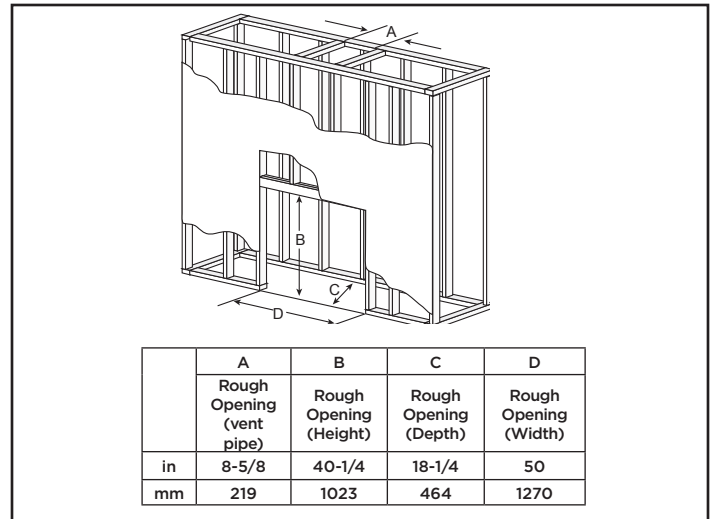
WALL PENETRATION



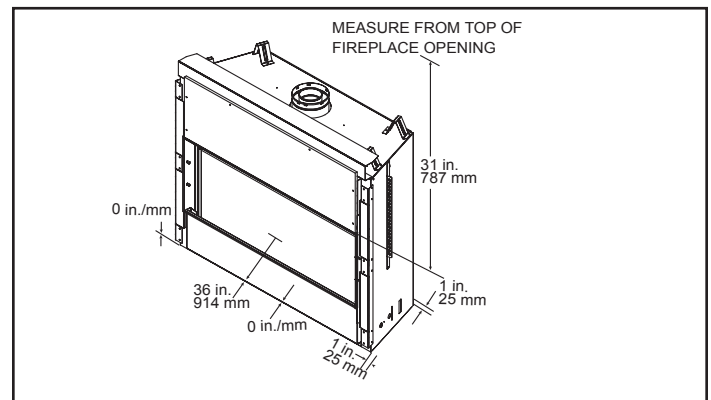
MANTLE LEG/WALL PROJECTIONS
(acceptable on both sides of appliance)



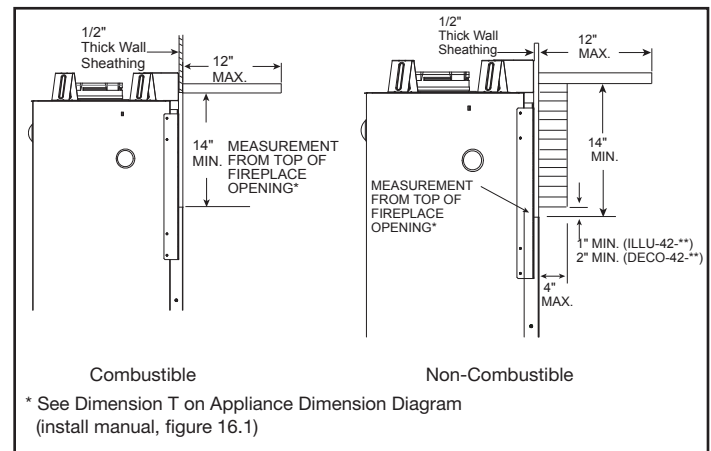
MINIMUM FRAMING DIMENSIONS



CLEARANCE TO COMBUSTIBLES



MANTLE PROJECTIONS
(or other materials above appliance)



PRODUCT LISTING CODES	
US	ANSI Z21.88b-2009
CAN	CSA 2.33a-2009
US LISTED	UL307B

Product information provided is not complete and is subject to change without notice. Product installation must adhere strictly to instructions accompanying product to avoid risk of fire and potential injury.

Additional information can be found online at www.heatnglo.com